

OPERATING INSTRUCTIONS
OXYRATOR
OXYRATOR WITH ASPIRATOR

MEDAP 



Subject to technical modification!

Illustrations and technical specifications may vary slightly from those in these Operating Instructions as a result of ongoing product development.

V05 2019-12





Table of contents

1	Introduction	5
1.1	Foreword	5
1.2	How to use these operating instructions	5
1.2.1	Abbreviations	5
1.2.2	Symbols	5
1.2.2.1	Cross-references	5
1.2.2.2	Actions and responses	5
1.2.3	Definitions	6
1.2.3.1	Design of safety notes	6
1.2.3.2	Structure of notes	6
1.2.4	Symbols used	6
1.3	Disposal.....	7
1.3.1	Packaging	7
1.3.2	ATMOS products.....	7
1.4	Overview of Oxyrator (REF 5752 5548).....	8
1.5	Overview of Oxyrator with aspirator (REF 5752 5549).....	9
1.6	Basic requirements.....	9
1.6.1	Use in accordance with the intended purpose	9
1.6.2	Applicable standards.....	10
1.6.3	Treatment system as per Article 12.....	10
1.6.4	Intended purpose	10
1.6.5	Interface description of Oxyrator.....	12
1.6.5.1	Oxygen cylinder.....	12
1.6.5.2	Connection tube	12
1.6.5.3	Bubble humidifier (REF 5752 5315)	12
1.6.6	Interface description of Oxyrator with aspirator	12
1.6.6.1	Oxygen cylinder.....	12
1.6.6.2	Vacuum connection tube	12
1.6.6.3	Suction tube.....	13
1.6.6.4	Connection tube	13
1.6.6.5	Bubble humidifier (REF 5752 5315)	13
2	Safety notes	14
3	Initial operation.....	15
3.1	General.....	15
3.2	Connecting the pressure regulator	15



- 3.3 Oxyrator (REF 5752 5548)..... 16
 - 3.3.1 Oxygen supply via tube adapter 16
 - 3.3.2 Connecting accessories (optional)..... 17
 - 3.3.2.1 Connection of bubble humidifier (REF 5752 5315) 17
 - 3.3.2.2 Connection of disposable humidifiers from other manufacturers 17
- 3.4 Oxyrator with aspirator (REF 5752 5549)..... 18
 - 3.4.1 Connecting the fine regulator 18
 - 3.4.2 Connecting the gas-jet pump 18
 - 3.4.3 Mounting the tubes 19
 - 3.4.4 Aspiration and oxygen therapy 19
 - 3.4.4.1 Oxygen supply via tube adapter 19
 - 3.4.4.2 Connecting accessories (optional) 20
- 4 Operation 22**
 - 4.1 Function test..... 22
 - 4.2 Check the filling level of the oxygen cylinder..... 22
 - 4.3 Oxygen extraction 23
 - 4.4 Setting the vacuum level (only for Oxyrator with aspirator)..... 23
- 5 Taking the unit out of operation..... 24**
 - 5.1 Stopping oxygen extraction 24
 - 5.2 Replacing the oxygen cylinder 24
 - 5.3 Oxyrator with aspirator 26
 - 5.3.1 Detaching tubes 26
- 6 Cleaning and disinfection..... 27**
 - 6.1 General..... 27
- 7 Maintenance..... 28**
 - 7.1 General..... 28
 - 7.2 Periodic tests..... 28
 - 7.3 Visual and functional inspections 28
 - 7.4 Malfunctions and troubleshooting..... 29
 - 7.5 Repairs 29
 - 7.6 Service hotline..... 30
 - 7.7 Sending in the device 30
- 8 Technical specifications 31**
 - 8.1 Ambient conditions 31
 - 8.2 Technical specifications 31
 - 8.3 Dimensions and weights 31
- 9 Approved accessories 32**
 - 9.1 Accessories 32
 - 9.2 Consumables 32

1 Introduction

1.1 Foreword

Your facility has selected the leading-edge medical technology made by ATMOS. We sincerely appreciate the trust you have placed in us.

1.2 How to use these operating instructions

These operating instructions are provided to familiarise you with the features of this ATMOS product.

They are subdivided into several chapters.

Please note:

- Please read these operating instructions carefully and completely before using the product for the first time.
- Always proceed in accordance with the information contained herein.
- Store these operating instructions in a location near the product.

1.2.1 Abbreviations

EN	European standard
EEC	European Economic Community
VDE	Verband der Elektrotechnik Elektronik Informationstechnik (Association for Electrical, Electronic & Information Technology)

1.2.2 Symbols

1.2.2.1 Cross-references

References to other pages in these operating instructions are identified with a double arrow symbol '»»'.

1.2.2.2 Actions and responses

The '☒' symbol identifies an action taken by the user, while the '✓' symbol identifies the reaction that this will induce in the system.

Example:

- ☒ Turn on the light switch.
 - ✓ Lamp lights up.

1.2.3 Definitions

1.2.3.1 Design of safety notes

Pictogram	Descriptor	Text
	DANGER! Indicates a direct and immediate risk to persons which may be fatal or result in most serious injury.	The text for the safety note describes the type of risk and how to avert it.
	WARNING! Indicates a potential risk to persons or property which may result in health hazard or grave property damage.	
	CAUTION! Indicates a potential risk to property which may result in property damage.	

Tab. 1: Design of safety notes

1.2.3.2 Structure of notes

Notes not referring to personal injury or property damage are structured as follows:








Pictogram	Descriptor	Reference to
	NOTE	Supplementary assistance or further useful information without potential injury to persons or property damage is described in the text of the note.
	ENVIRONMENT	Information regarding proper disposal.

Tab. 2: Structure of notes

1.2.4 Symbols used

Symbols are attached to products, type plates and packaging.

Symbols	Identification
	Labelling in compliance with the ISO 15223-1 standard. Symbol for 'Serial number'.
	Labelling in compliance with the ISO 15223-1 standard. Symbol for 'Product number'.
	Labelling in compliance with the ISO 15223-1 standard. Symbol for 'Follow operating instructions'.

Symbols	Identification
	Packaging label. Symbol for 'Keep dry'.
	Packaging label. Symbol for 'Fragile! Handle with care'.
	Packaging label. Symbol for 'Top'.
	Labelling in compliance with the ISO 15223-1 standard. Symbol for 'Temperature limitations'.
	Labelling in compliance with the ISO 15223-1 standard. Symbol for 'Relative humidity'.
	Labelling in compliance with the ISO 15223-1 standard. Symbol for 'Atmospheric pressure'.
	Labelling in compliance with the ISO 15223-1 standard. Symbol for 'Name and address of the manufacturer as well as date of manufacture'.

Tab. 3: Symbols

1.3 Disposal

1.3.1 Packaging

The packaging is made of materials compatible with the environment. ATMOS will dispose of the packaging materials upon request.

1.3.2 ATMOS products

ATMOS will take back used products or those which are no longer in service. Please contact your ATMOS representative for more detailed information.

1.4

Overview of Oxyrator (REF 5752 5548)

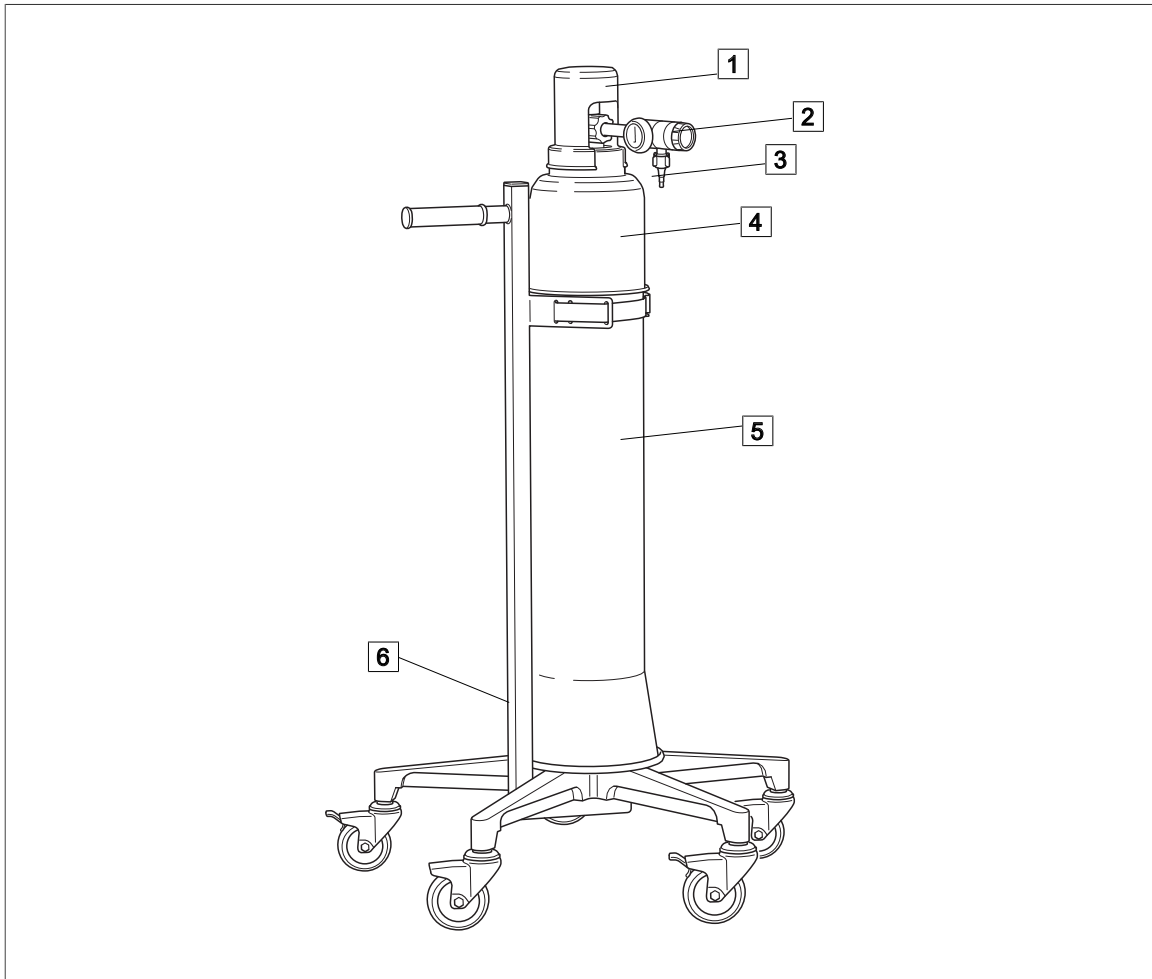


Fig. 1: Overview of Oxyrator

1 Valve cap

2 Pressure regulator

3 Tube adapter

4 Cylinder cover

5 Cylinder jacket

6 Cylinder trolley

1.5 Overview of Oxyrator with aspirator (REF 5752 5549)

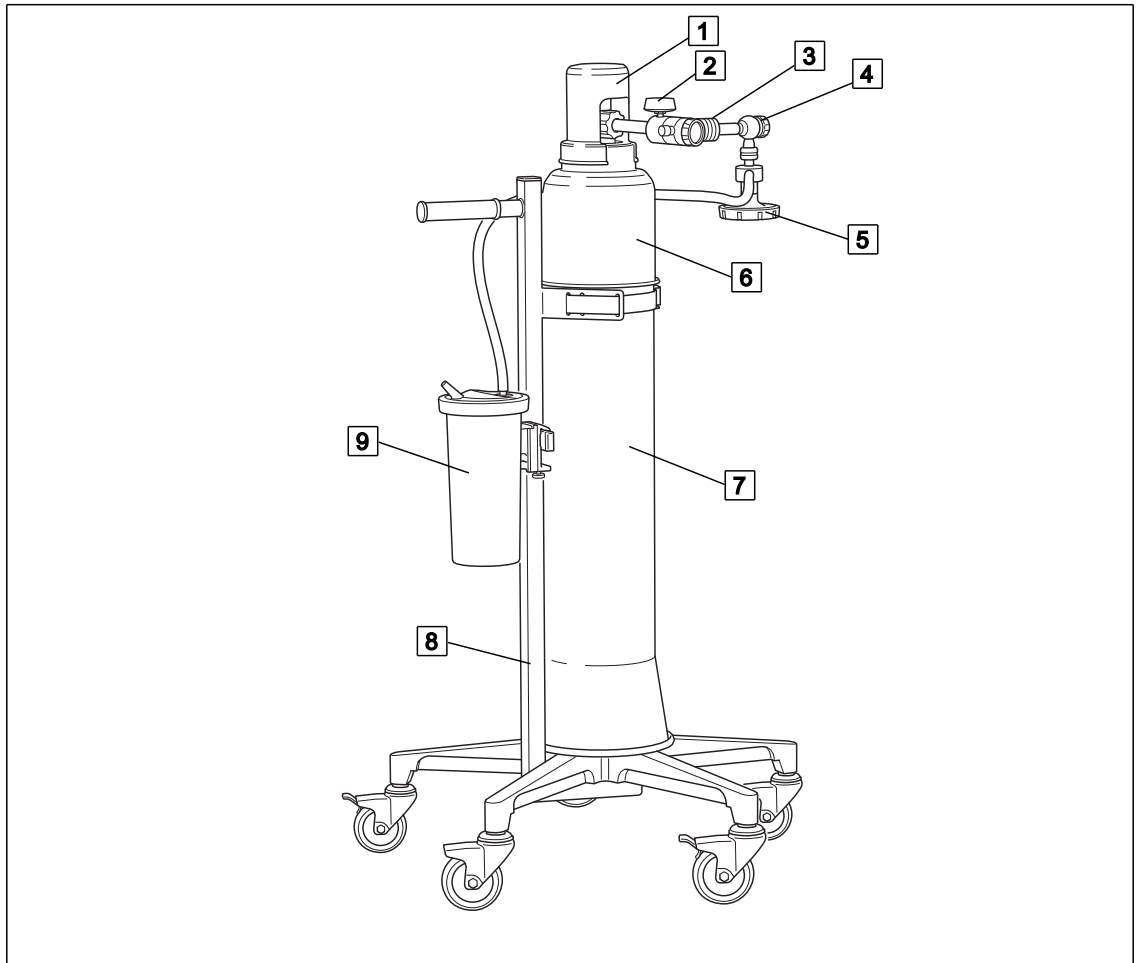


Fig. 2: Overview of Oxyrator with aspirator

- | | |
|-------------------------------|--------------------|
| 1 Valve cap | 5 Gas-jet pump |
| 2 Gauge of pressure regulator | 6 Cylinder cover |
| 3 Pressure regulator | 7 Cylinder jacket |
| 4 Fine regulator | 8 Cylinder trolley |
| | 9 Aspiration set |

1.6 Basic requirements

1.6.1 Use in accordance with the intended purpose

This product is a medical device according to the Medical Devices Directive 93/42/EEC.

This product is to be used exclusively in human medicine.

Patients may be placed on the device and put in position only under the supervision of medical personnel.

Accessories

Accessories or combinations of accessories may be utilised only as and when indicated in these operating instructions.

Use other accessories, combinations and parts subject to wear only if these are intended expressly for the application and will not adversely affect performance features or safety requirements.

1.6.2 Applicable standards

The product satisfies the basic requirements set forth in Annex I to Council Directive 93/42/EEC concerning medical devices (Medical Devices Directive) as well as the applicable national (German) codes and the Medical Devices Act (MPG) in Germany. This has also been demonstrated through the application of the corresponding standards which have been harmonised with Directive 93/42/EEC.

1.6.3 Treatment system as per Article 12

The product consists of several components which together comprise one treatment system as per Article 12 of the Medical Devices Directive 93/42/EEC (Paragraph 10 of the Medical Devices Act).

The Oxyrator consists of the following components:

- O2 pressure regulator with flowmeter (REF 5752 5543)
- Cylinder trolley for 10 or 11 litre oxygen cylinders (REF 5752 4675)
- Cylinder jacket for 10 or 11 litre oxygen cylinders, complete with valve cap and cylinder cover (REF 5752 4676).

The Oxyrator with aspirator consists of the following components:

- Pressure regulator with flowmeter and additional DIN coupling (REF 5752 5544)
- Cylinder trolley for 10 or 11 litre oxygen cylinders (REF 5752 4675)
- Cylinder jacket for 10 or 11 litre oxygen cylinders, complete with valve cap and cylinder cover (REF 5752 4676).
- 20 cm equipment rail with holder for cylinder trolley (REF 5752 4677)
- FINA fine regulator O2 (REF 5752 3705)
- Gas-jet pump O2 LF/HV (REF 5750 7540)
- Application set aspiration (REF 5752 4681)

All Oxyrator and Oxyrator with aspirator components may be reused after disinfection. Combined use with the Oxyrator is restricted exclusively to equipment or parts which have been approved by ATMOS for such use. The intended purposes and operating instructions of the application parts must be observed.

1.6.4 Intended purpose

Name:	Oxyrator Oxyrator with aspirator
Main function:	Treatment system consisting of several components for administration of oxygen, in addition, the Oxyrator with aspirator is suitable for bronchial aspiration
Medical indications / application:	Supply of patients with medical oxygen if a central gas supply is not available (e.g. interhospital transport). The Oxyrator with aspirator also allows for the conversion of the oxygen into vacuum using the Venturi principle for bronchial aspiration.

Specification of the main function:	<p>The Oxyrator and the Oxyrator with aspirator are treatment systems as per Article 12 of the Medical Devices Directive 93/42/EEC (Paragraph 10 of the Medical Devices Act).</p> <p>The components are listed in the following chapter of this operating instructions.</p> <p>The cylinder trolley provides a basis for a 10 or 11 l oxygen cylinder. A pressure reducer is connected to the oxygen cylinder and reduces the pressure to the usual pressure of central gas supply systems. An integrated flowmeter in the pressure reducer can be used for inhalation or insufflation of oxygen within the scope of oxygen enrichment for patients breathing by themselves. For the Oxyrator with aspirator the pressure reducer has an additional coupling DIN. In the coupling DIN a fine regulator oxygen can be inserted. A gas-jet pump can be connected to the outlet of the fine regulator, converting the oxygen into vacuum via the Venturi principle. The application set aspiration consists of a septic fluid jar with lid for bronchial aspiration. The permissible pressure in the oxygen cylinder is 200 bar.</p>
User profile:	Doctor, medically trained staff
Patient groups:	Patients of all ages
Application organ:	<p>Outlet flowmeter: Lung</p> <p>Outlet coupling: No specific organ</p>
Application time:	For continuous operation; in practice, short-term use on the patient (< 30 days)
Application site:	The application site is the clinical environment and doctor's practices. The application of the product may only be performed by medically trained and instructed staff.
Contraindications:	<p>The Oxyrator and Oxyrator with aspirator may not be used for the following purposes:</p> <ul style="list-style-type: none"> • Outside the medical sector • In MR areas • For ultra-pure gases • For corrosive, aggressive and toxic gases, acetylene, propane, butane and other flammable gases • With a supply pressure higher than 200 bar • The undosed supply of medical oxygen (connection of tapping units intended for this purpose is strictly necessary) • When applying oxygen in its function as a medication, it is absolutely necessary to measure the flow rate
The product is:	Active
Sterility:	Not a sterile product
Single-use product / reprocessing:	The treatment system and parts of the accessories are reusable. For information on reprocessing, cleaning and disinfection please see the operating instructions

1.6.5 Interface description of Oxyrator

1.6.5.1 Oxygen cylinder

The oxygen cylinder is mounted to the carrying board with a clamp bracket and supplies oxygen to the emergency oxygen unit.

Technical specifications

- 10 or 11 l
- Cylinder diameter 140 mm
- Cylinder height approximately 1000 mm
- Weight maximum 16 kg
- 200 bar / 20000 kPa
- Connection DIN 477-1

1.6.5.2 Connection tube

The connection tube is used to connect the tube adapter on the flowmeter outlet of the pressure regulator to the inhalation mask.

Technical specifications

- Inner diameter 5 mm

Prerequisites

- The inner diameter of the connection tube should match the tube connector on the flowmeter outlet of the pressure regulator and the tube connector of the inhalation mask.

1.6.5.3 Bubble humidifier (REF 5752 5315)

The bubble humidifier can be integrated between the flowmeter outlet of the pressure regulator and the connection tube of the inhalation mask to humidify the oxygen. The bubble humidifier is connected to the flowmeter outlet of the pressure regulator. The connection tube to the inhalation mask is connected at the outlet of the bubble humidifier [[▶▶ Page 17](#)].

1.6.6 Interface description of Oxyrator with aspirator

1.6.6.1 Oxygen cylinder

The oxygen cylinder is mounted to the carrying board with a clamp bracket and supplies oxygen to the emergency oxygen unit.

Technical specifications

- 10 or 11 l
- Cylinder diameter 140 mm
- Cylinder height approximately 1000 mm
- Weight maximum 16 kg
- 200 bar / 20000 kPa
- Connection DIN 477-1

1.6.6.2 Vacuum connection tube

The vacuum connection tube is used to connect the tapping unit and the septic fluid jar.

Technical specifications

- Shore hardness of 60
- Inner diameter 6 mm
- Length 50 cm (± 10 cm)
- Vacuum resistant down to -95 kPa (may not collapse)

Prerequisites

- The inner diameter of the vacuum connection tube should match the outer diameter of the tube connector on the septic fluid jar cap of the pump.

The vacuum connection tube will be referred to only as 'connection tube' below.

1.6.6.3 Suction tube

The suction tube is used to connect the tube connector on the septic fluid jar on the patient side and the fingertip or the utensil.

Technical specifications

- Shore hardness of 60
- Inner diameter 6 - 8 mm
- Length 1.3 m to 3.0 m
- Vacuum resistant down to -95 kPa (may not collapse)

Prerequisites

- The outer diameter of the tube connector on the patient side of the septic fluid jar cap must match the inner diameter of the suction tube.

1.6.6.4 Connection tube

The connection tube is used to connect the tube adapter on the flowmeter outlet of the pressure regulator to the inhalation mask.

Technical specifications

- Inner diameter 5 mm

Prerequisites

- The inner diameter of the connection tube should match the tube connector on the flowmeter outlet of the pressure regulator and the tube connector of the inhalation mask.

1.6.6.5 Bubble humidifier (REF 5752 5315)

The bubble humidifier can be integrated between the flowmeter outlet of the pressure regulator and the connection tube of the inhalation mask to humidify the oxygen. Instead of the tube adapter, the angled adapter (REF 5752 5606) is connected to the flowmeter outlet of the pressure regulator for this purpose. The bubble humidifier is connected at the outlet of the angled adapter, and the connection tube to the inhalation mask is connected at the outlet of the bubble humidifier [►► page 21].

2 Safety notes

**DANGER!**

Danger to life!

The undosed supply of gases is hazardous to the patient.

Use only tapping units with dosing systems.

**WARNING!**

Risk of injury!

Hazard resulting from incorrect handling.

Be absolutely sure to observe the operating instructions for all the products used in the configuration.

**WARNING!**

Risk of injury!

Worn or damaged products or accessories can cause injuries.

Use only products and accessories which are in perfect condition.

**CAUTION!**

Observe ambient conditions!

The precision, operation, mechanical stability and tightness of the product cannot be guaranteed if the maximum upper and lower ambient temperatures are exceeded.

**DANGER!**

Danger to life!

Danger due to improper configuration of the system.

The configuration of the overall system as well as the functional testing are subject to the overall responsibility of the medical staff. The operator must check the proper functionality and suitability of the connected accessories for each intended application prior to every use, in particular, connection parts, sealing properties and suitability with regard to material, work pressure and flow.

**CAUTION!**

Property damage!

Danger of tipping if position is unstable!

Place the product on a firm, level surface. Operation is only permitted when the castors are in a locked position.

3 Initial operation

3.1 General

**WARNING!**

Infection hazard!

Contaminated components may endanger the health of staff and patients.

Ensure the product is prepared as per hygiene standards before using it for the first time.

**NOTE**

Refer to the operating instructions of the cylinder trolley (REF 5752 4732) for information on how to assemble the cylinder trolley and the cylinder jacket.

**NOTE**

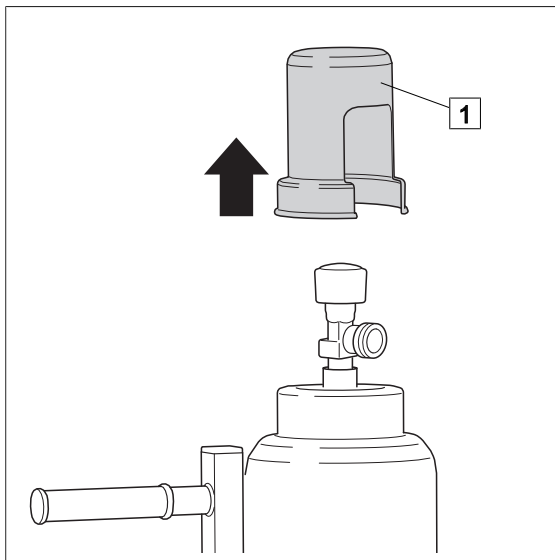
The oxygen cylinder is not included in the scope of delivery.

The scope of delivery includes the operating instructions as well as the ordered product version Oxyrator (REF 5752 5548) or Oxyrator with aspirator (REF 5752 5549) in line with the respective individual components.

Remove the product from its packaging and check the shipment for completeness and to ensure the scope of delivery is intact.

3.2 Connecting the pressure regulator

Mounting is described using the pressure regulator (REF 5752 5543) as an example.



Remove the valve cap (1).

Fig. 3: Removing the valve cap

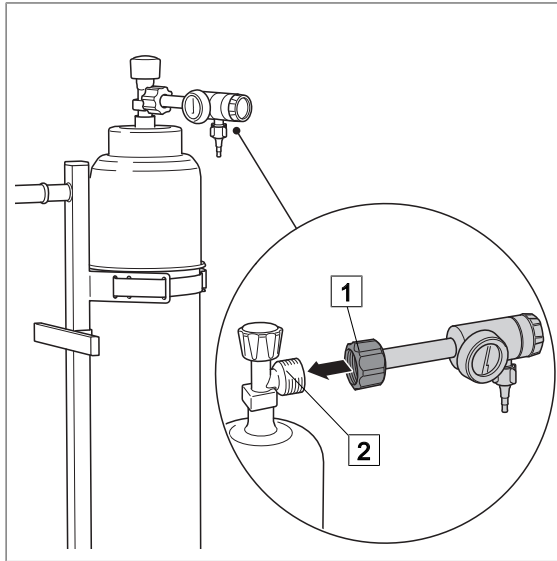


Fig. 4: Connecting the pressure regulator

Connecting the pressure regulator

- ☒ Ensure that the pressure regulator is closed.
- ☒ Plug the cap nut (1) of the pressure regulator onto the thread of the connection valve (2) of the oxygen cylinder.
- ☒ Tighten the cap nut by hand.
 - ✓ The pressure regulator is mounted.

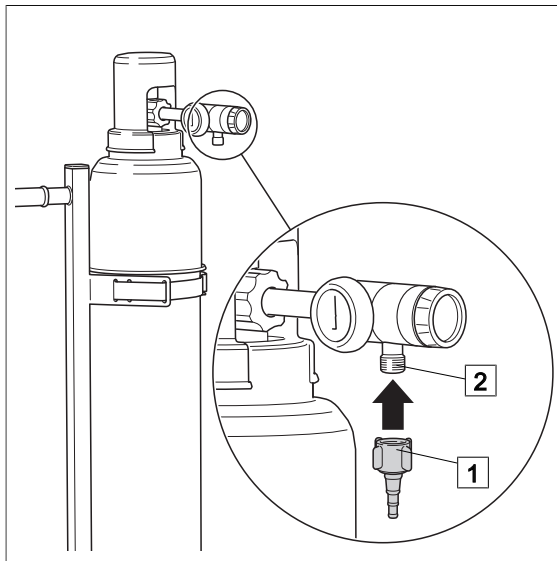
3.3 Oxyrator (REF 5752 5548)**3.3.1 Oxygen supply via tube adapter**

Fig. 5: Screwing on the tube adapter

Screwing on the tube adapter

- ☒ Screw the tube adapter (1) onto the tube connector (2) of the pressure regulator.

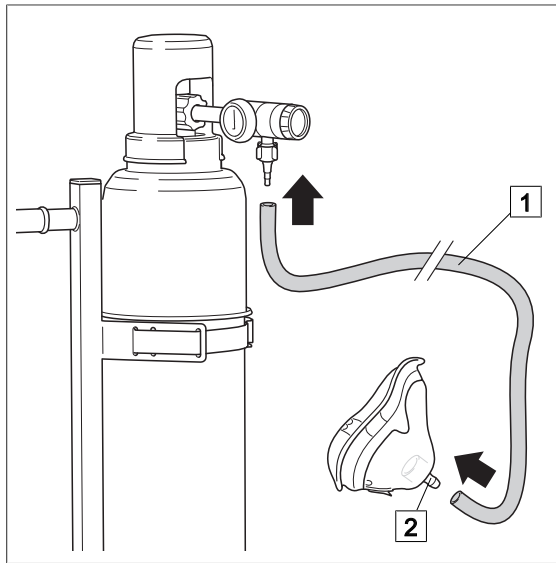


Fig. 6: Connecting the connection tube

Connecting the connection tube

- Attach the connection tube (1) to the tube adapter.
- Attach the other end of the connection tube to the inhalation mask (2).
- ✓ Oxygen supply is functional.

3.3.2 Connecting accessories (optional)

3.3.2.1 Connection of bubble humidifier (REF 5752 5315)

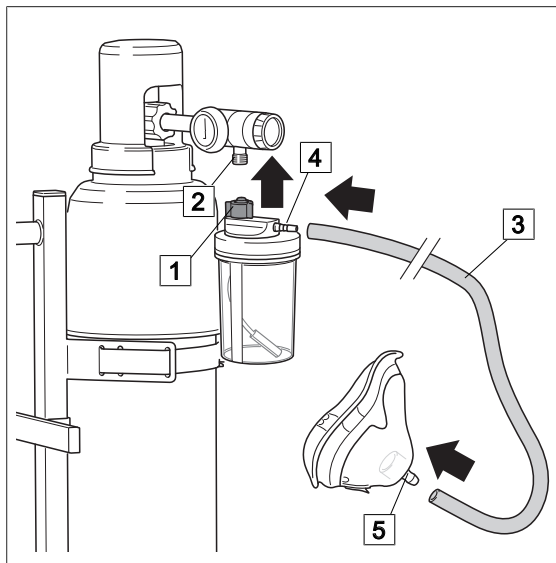


Fig. 7: Connection of bubble humidifier

Connecting the bubble humidifier

- Ensure that the tube connector of the bubble humidifier has two seals.
- Screw the bubble humidifier (1) directly to the flowmeter outlet (2) and tighten finger-tight as far as it will go.
- Attach the connection tube (3) to the tube connector (4) of the bubble humidifier.
- Attach the other end of the connection tube to the inhalation mask (5).
- ✓ Oxygen supply is functional.
- Pay attention that no tensile forces affect the bubble humidifier.

3.3.2.2 Connection of disposable humidifiers from other manufacturers

Disposable humidifiers may be connected to the flowmeter outlet. An angled adapter must be used for disposable humidifiers.

- Screw the disposable humidifier directly to the flowmeter outlet (2) and tighten finger-tight as far as it will go.

3.4 Oxyrator with aspirator (REF 5752 5549)

**NOTE**

Oxygen supply via tube adapter [▶ Page 16] or connecting accessories.

3.4.1 Connecting the fine regulator

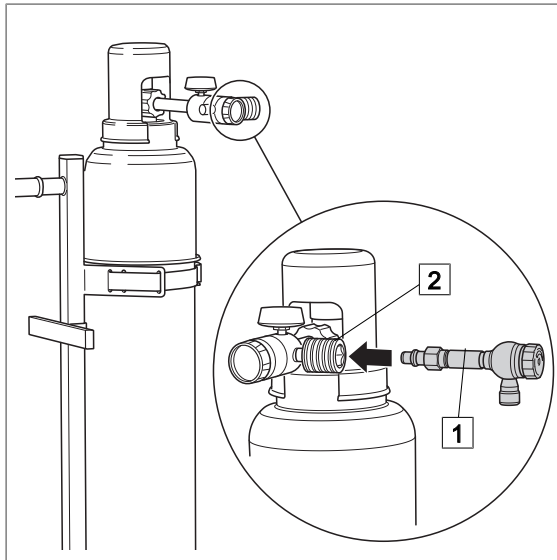


Fig. 8: Connecting the fine regulator

Connecting the fine regulator

- Insert the fine regulator (1) into the DIN coupling (2) on the pressure regulator.

3.4.2 Connecting the gas-jet pump

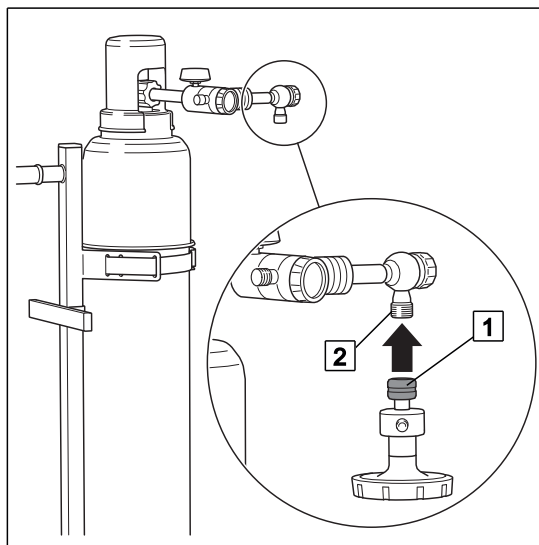


Fig. 9: Connecting the gas-jet pump

Connecting the gas-jet pump

- Fit the cap nut (1) of the gas-jet pump onto the connection thread (2) of the fine regulator.
- Tighten the cap nut.
 - ✓ The gas-jet pump is mounted.

3.4.3 Mounting the tubes



NOTE

Use the hydrophobic bacterial and viral filter (REF 5752 2557) instead of the tube adapter (REF 5752 2295) to increase safety.

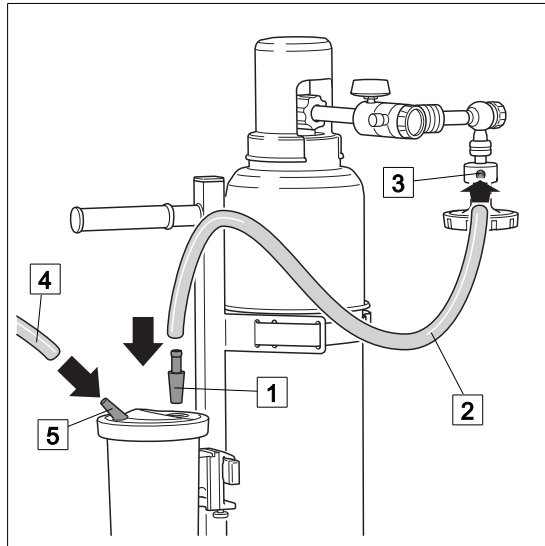


Fig. 10: Mounting the tubes

Mounting the tubes

- Fit the adapter (1) into the septic fluid jar cap.
 - Attach the connection tube (2) to the adapter.
 - Attach the other end of the connection tube to the tube connector (3) on the gas-jet pump.
 - Attach the suction tube (4) to the patient-side tube connector (5) on the septic fluid jar cap.
- ✓ Aspiration set is functional.

3.4.4 Aspiration and oxygen therapy

3.4.4.1 Oxygen supply via tube adapter

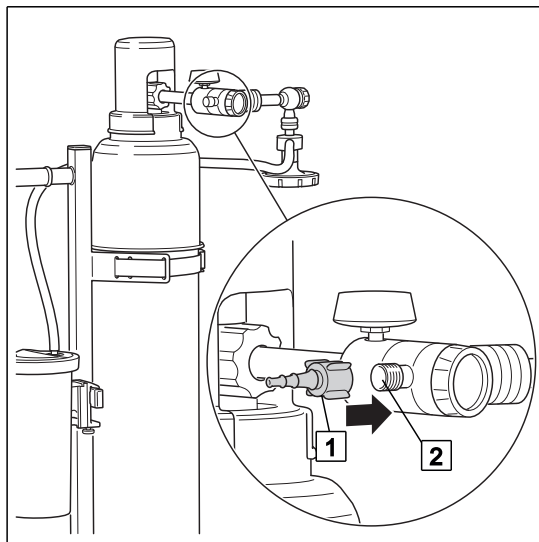


Fig. 11: Screwing on the tube adapter

Screwing on the tube adapter

- Screw the tube adapter (1) onto the tube connector (2) of the pressure regulator.

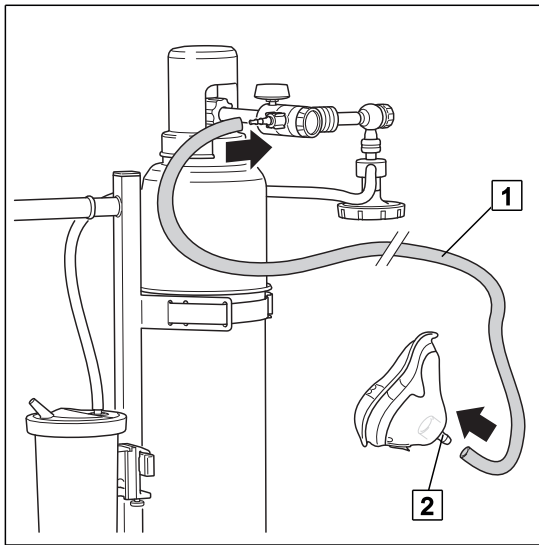


Fig. 12: Connecting the connection tube

Connecting the connection tube

- Attach the connection tube (1) to the tube adapter.
- Attach the other end of the connection tube to the inhalation mask (2).
- ✓ Oxygen supply is functional.

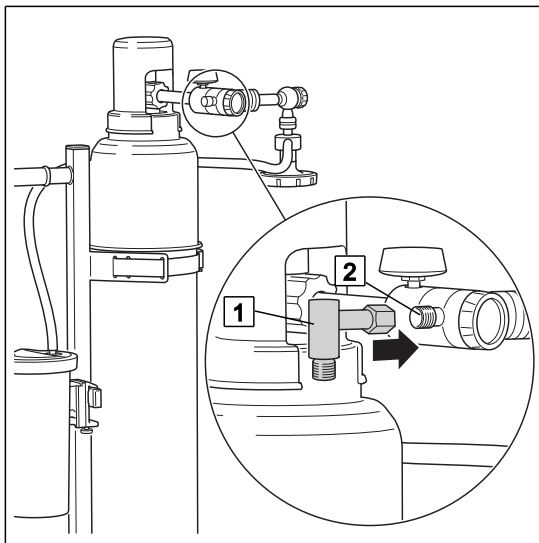
3.4.4.2 Connecting accessories (optional)**Connection of bubble humidifier (REF 5752 5315)**

Fig. 13: Connecting the angled adapter / adapter for humidifier

Connection of angled adapter (REF 5752 5606) (optional)

- Ensure that the adapter for humidifier contains a flat gasket.
- Screw the angled adapter (1) onto the tube connector (2) of the pressure regulator.

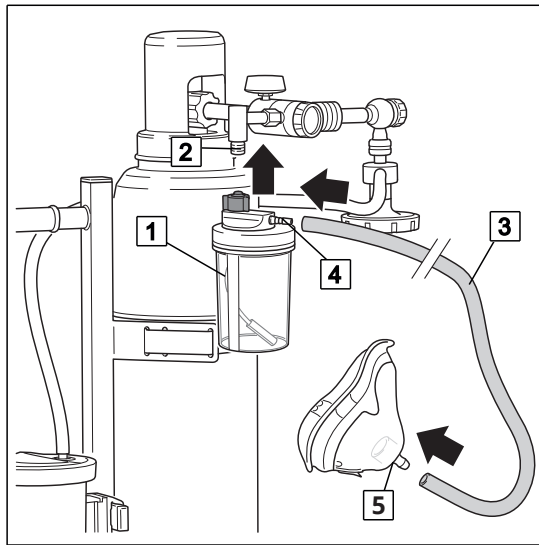


Fig. 14: Connecting the bubble humidifier

Connecting the bubble humidifier

- ☒ Ensure that the tube connector of the bubble humidifier has two seals.
- ☒ Screw the bubble humidifier (1) directly to the angled adapter (2) and tighten finger-tight as far as it will go.
- ☒ Attach the connection tube (3) to the tube connector (4) of the bubble humidifier.
- ☒ Attach the other end of the connection tube to the inhalation mask (5).
 - ✓ Oxygen supply is functional.
- ☒ Pay attention that no tensile forces affect the bubble humidifier.

Connection of disposable humidifiers from other manufacturers

Disposable humidifiers may be connected to the flowmeter outlet. An angled adapter must be used for disposable humidifiers.

- ☒ Screw the disposable humidifier directly to the flowmeter outlet (2) and tighten finger-tight as far as it will go.

4 Operation

**NOTE**

Unscrew manual tightening only after pressure has been fully released from the pressure regulator. First, close the valve on the oxygen cylinder; then release the pressure on the click-stop flowmeter.

4.1 Function test

Prior to using the system, the operator must check that the product is fully functional and in good condition. Prior to each use, carry out the following functionality checks:

Pressure regulator

- State of manual tightening
- State of seal in cap nut
- Ease of movement at the connector threads (difficulty of movement is an indication of damage or soiling to the threads)
- Damage to supply tubes
- Airtightness
- Intact connection thread for accessories

Aspirator unit (only for Oxyrator with aspirator)

- Damage of seal rims of float in the overflow protection device
- Any cracks in septic fluid jar
- Splintering at the contact surfaces of the septic fluid jar
- Damage to seal of the septic fluid jar cap
- Cracked or hardened connection tubes
- State of seal in cap nut of gas-jet pump
- Free movement of fine regulator for gas-jet pump

Oxygen cylinder

- Sufficient filling level

4.2 Check the filling level of the oxygen cylinder

**NOTE**

Check airtightness of all accessory connections before beginning treatment. Manually retighten connecting nuts as necessary and readjust to the amount of oxygen required.

The duration of use in treatment depends on the filling level of the oxygen cylinder. The filling level may be checked as follows:

Cylinder pressure (kPa) * cylinder volume (V) / O₂ dosage (l/min)

Example of calculation:

- Cylinder pressure = 200 kPa
- Cylinder volume = 10 l
- O₂ dosage = 4 (l/min)
- 200 X 10 / 4 = 500 min

The cylinder contents will last for approximately 8 hours.

Checking the filling level

- Open the cylinder valve.

- ☒ Set the hand wheel of the click-stop flowmeter at the pressure regulator.
- ☒ Check the gauge to see whether the cylinder contains sufficient oxygen for treatment.

4.3 Oxygen extraction

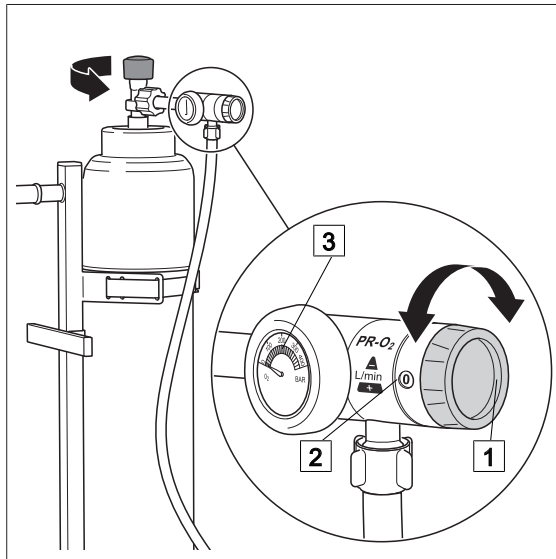


Fig. 15: Setting the flow

Setting the flow

- ☒ Remove the valve cap.
- ☒ Set the hand wheel (1) of the click-stop flowmeter to zero (2).
- ☒ Open the cylinder valve of the oxygen cylinder and check whether the cylinder contains sufficient content for treatment [▶▶ Page 22].
- ☒ Set the desired flow quantity on the hand wheel.
 - ✓ The arrow (3) on the pressure regulator indicates flow quantity.

4.4 Setting the vacuum level (only for Oxyrator with aspirator)



NOTE

Check airtightness of all accessory connections before beginning treatment. Manually retighten connecting nuts as necessary and readjust to the amount of oxygen required.

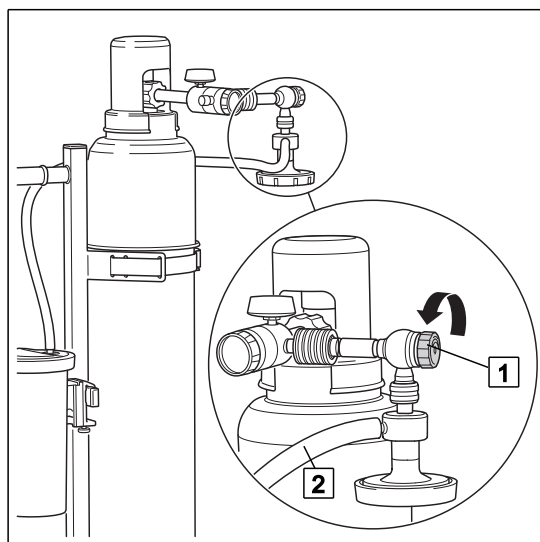


Fig. 16: Setting the vacuum level

Setting the vacuum level

- ☒ Close the control valve (1) on the fine regulator.
- ☒ Open the cylinder valve of the oxygen cylinder and check whether the cylinder contains sufficient content for treatment [▶▶ Page 22].
- ☒ Turn the control valve of the fine regulator slowly one full rotation in an anticlockwise direction.
- ☒ Bend the suction tube (2).
- ☒ Set the suction rate required using the control valve.

5 Taking the unit out of operation

5.1 Stopping oxygen extraction

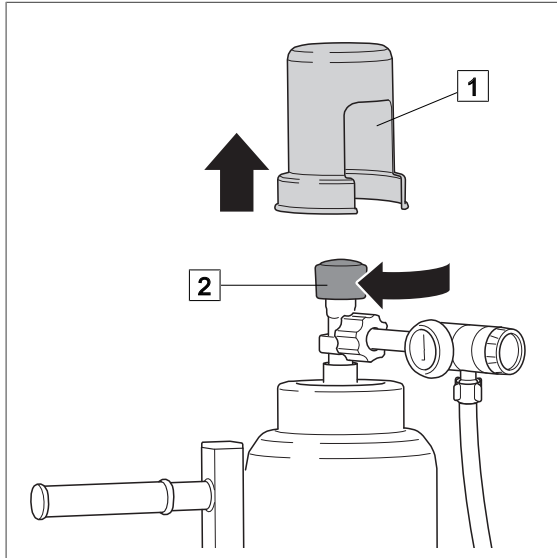


Fig. 17: Closing the cylinder valve

Closing the cylinder valve

- Remove the valve cap (1).
- Turn the hand wheel (2) of the cylinder valve slowly in a clockwise direction.
 - ✓ Cylinder valve is closed.
 - ✓ Oxygen supply is interrupted.

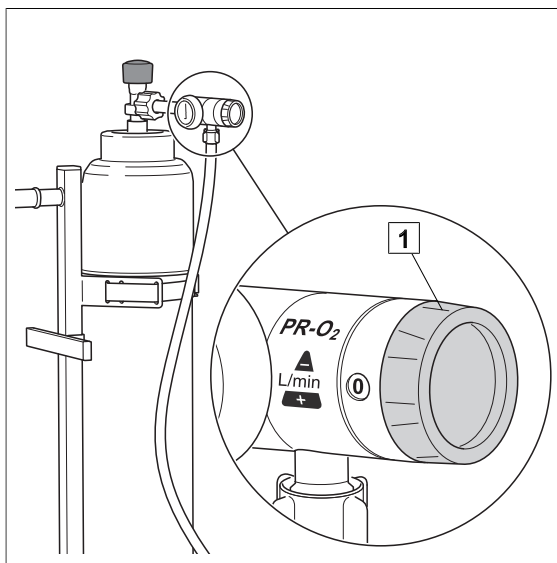


Fig. 18: Closing the pressure regulator

Releasing the pressure

- Set the hand wheel (1) of the click-stop flowmeter to [15].
 - ✓ Pressure is released.

Closing the pressure regulator

- Set the hand wheel (1) of the click-stop flowmeter to [0].

5.2 Replacing the oxygen cylinder



NOTE

Unscrew manual tightening only after pressure has been fully released from the pressure regulator. First, close the valve on the oxygen cylinder; then release the pressure on the click-stop flowmeter.

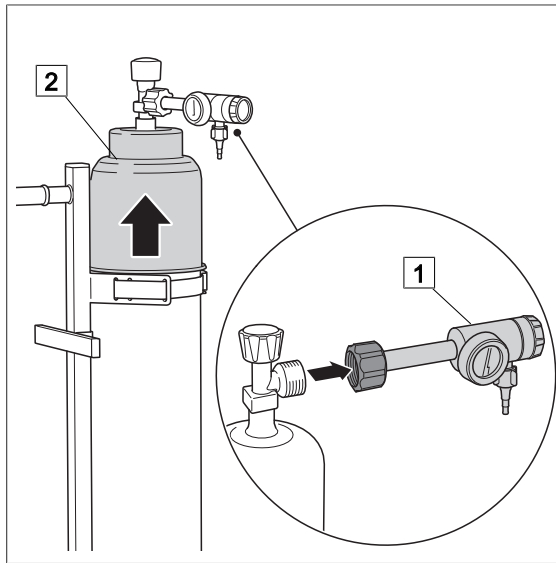


Fig. 19: Replacing the oxygen cylinder

Replacing the oxygen cylinder

- Release the pressure.
- Close the pressure regulator.
- Lock the brakes of the trolley castors.
- Unscrew the pressure regulator (1).
- Remove the cylinder cover (2).

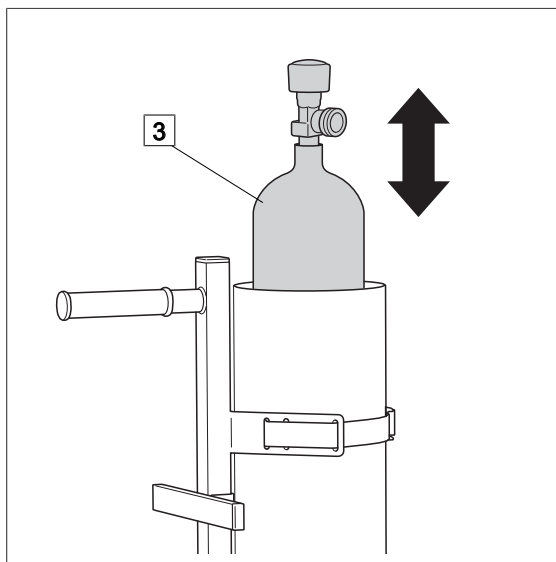


Fig. 20: Replacing the oxygen cylinder

- Remove the oxygen cylinder (3) from the cylinder jacket.
- Insert a new oxygen cylinder into the cylinder jacket and connect the pressure regulator.
- Put on the cylinder cover.
- Connect the pressure regulator.

5.3 Oxyrator with aspirator

5.3.1 Detaching tubes

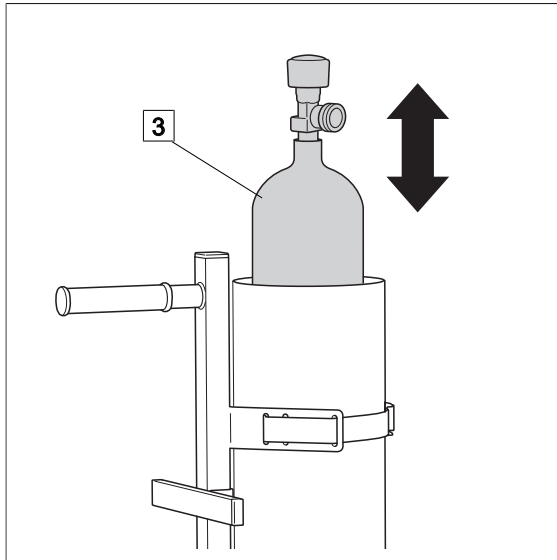


Fig. 21: Detaching tubes

Detaching tubes

- Remove the suction tube (1) from the patient-side tube connector (5) on the septic fluid jar cap.
- Detach the adapter (2) and connection tube (3) from the septic fluid jar cap.
- Remove the other end of the connection tube from the connector (4) on the gas-jet pump.

6 Cleaning and disinfection

6.1 General

The product must be cleaned as well as wipe disinfected after every use. Perform visual and functional inspections after each cleaning and disinfection process. Please strictly observe the cleaning instructions in the operating instructions of the connected products.

**DANGER!**

Risk due to incorrect use of detergents and disinfectants!

It is strictly advised to observe the manufacturer's instructions regarding how to use the detergents and disinfectants as well as to observe the valid hospital hygiene rules.

**DANGER!**

Infection hazard!

Product may be contaminated.

Always wear gloves for cleaning and disinfection.

7 Maintenance

7.1 General

Maintenance, repairs and periodic tests may only be carried out by persons who have the appropriate technical knowledge and are familiar with the product. To carry out these measures, the person must have the necessary test devices and original spare parts.

ATMOS recommends: Work should be carried out by an authorised ATMOS service partner. This ensures that repairs and testing are carried out professionally, original spare parts are used and warranty claims remain unaffected.



WARNING!

Health hazard!

The product is used in the treatment of patients. The product or some of its components may be contaminated.

Clean and disinfect the product before maintenance and repair.

Repair work may be performed by personnel authorised by ATMOS.

7.2 Periodic tests

Observe the instructions for the individual components.

7.3 Visual and functional inspections

To ensure correct operation, it is necessary to have visual and functional inspections performed by a trained person prior to each use of the operating table.

Documentation of the results of the visual and functional inspections is recommend and should include the date and signature of the person who performed the inspections. The following table can be used as a template.

Suggestion:

No.	Inspection	Defects are present		No defects
1	Has the product been cleaned and disinfected according to the hygiene guideline?	<input type="checkbox"/>	<input checked="" type="checkbox"/> Do not use the product any longer. <input checked="" type="checkbox"/> Clean and disinfect the product according to the guidelines.	<input type="checkbox"/>
Comment:				
2	Is the product sealed?	<input type="checkbox"/>	<input checked="" type="checkbox"/> Do not use the product any longer.	<input type="checkbox"/>
Comment:				
3	Are there damages to mechanical parts?	<input type="checkbox"/>	<input checked="" type="checkbox"/> Do not use the product any longer. <input checked="" type="checkbox"/> Inform service personnel.	<input type="checkbox"/>
Comment:				

No.	Inspection	Defects are present		No defects
4	(Space for other tests)	<input type="checkbox"/>		<input type="checkbox"/>
Comment:				

Tab. 4: Visual and functional inspections

7.4 Malfunctions and troubleshooting

Defect	Source of malfunction	Troubleshooting
The maximum vacuum level of -80 kPa cannot be reached. No or reduced flow rate.	No pressure available	Check the contents of the oxygen cylinder; if necessary, replace the oxygen cylinder
		Fit the fine regulator correctly
		Open the oxygen cylinder
		Open the fine regulator
	Gas-jet pump is defective	Contact technical service
Cylinder pressure gauge is not working	Oxygen cylinder is empty	Replace the oxygen cylinder
	Oxygen cylinder is not open	Open the oxygen cylinder
	Pressure regulator is defective	Contact technical service
No or only little oxygen released	No oxygen pressure	Check the contents of the oxygen cylinder; if necessary, replace the oxygen cylinder
	Incorrect gauge display	Have reducing valve and gauge of the gas-jet pump checked; if necessary, replace tapping unit
	Clogged flowmeter	Contact technical service
	Leaking manual tightening	Replace the tapping unit
	Leaking or contaminated accessories	Replace or clean accessories

Tab. 5: Troubleshooting

7.5 Repairs

The following issues may require repairs by the manufacturer or an authorised service partner:

- Liquid has penetrated the device.
- The performance has significantly decreased.
- Inexplicable notifications appear.
- Abnormal noises occur.
- Functional faults cannot be rectified according to the measures in chapter Malfunctions and troubleshooting [▶▶ page 29].

If defects are detected, the product may not be used any longer.

Make a note of the deficiencies and the REF number on the data plate and inform your responsible ATMOS representative.

Observe the information in chapter Foreword [▶▶ page 5].

7.6 **Service hotline**

+49 7653 689-0

7.7 **Sending in the device**

- Remove and properly dispose of consumables.
- Clean and disinfect the product and accessories according to the operating instructions.
- Place used accessories with the product.
- Fill in the form QD 434 'Delivery complaint / return shipment' and the respective **decontamination certificate**.

This form is enclosed with each delivery and can be found at www.atmosmed.com.

- The device must be well padded and packed in suitable packaging.
- Place the form QD 434 'Delivery complaint / return shipment' and the respective **decontamination certificate** in an envelope.
- Affix the envelope to the outside of the package.
- Send the product to ATMOS or to your dealer.

8 Technical specifications

8.1 Ambient conditions

Temperature: Shipping / storage	-20 °C to +60 °C
Temperature: Operation	-20 °C to +60 °C
Relative humidity: Shipping / storage	10% to 95%
Relative humidity: Operation	10% to 95%
Atmospheric pressure: Shipping / storage	700 hPa to 1060 hPa
Atmospheric pressure: Operation	700 hPa to 1060 hPa

8.2 Technical specifications

Observe the instructions for the individual components in the respective operating instructions.

8.3 Dimensions and weights

Dimensions (L x W x H)	610 x 610 x 1170 mm
Weight Oxyrator (without oxygen cylinder)	Approximately 11 kg
Weight Oxyrator with aspirator (without oxygen cylinder)	Approximately 12 kg

9 Approved accessories

The following accessories are not part of the scope of delivery and must be ordered separately:

9.1 Accessories

5752 5606	Angled adapter UNF 9/16"
5752 5315	Bubble humidifier

Tab. 6: Accessories

9.2 Consumables

5750 5045	Hydrophobic bacterial filter paper (100 pieces)
5752 2557	Hydrophobic bacterial and viral filter (pore size 1 µm)
000.0347.0	Fingertip
006.0009.0	Suction tube, silicone, Ø 6 mm, 1 m

Tab. 7: Consumables

Notes

Notes

Notes



■ **Manufacturer:**

ATMOS
MedizinTechnik GmbH & Co. KG
Ludwig-Kegel-Str. 16
79853 Lenzkirch
GERMANY
Phone: +49 7653 689-0
www.atmosmed.com